



### AML31FBA4AD



**AML31 Series, Solid State Pushbutton, Rectangular, Standard Bezel, Lighted, 1 Incandescent Lamp, DPST NO Form X, Alternate Action, Snap in panel mount**

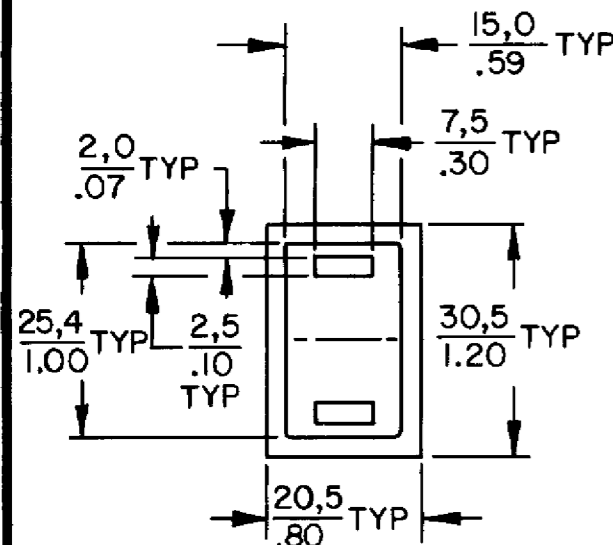
#### Features

- Snap-in Surface mount
- UL recognized, CSA certified
- Lamp circuit independent of switch circuit
- Metric design for world wide acceptance
- Buttons can be custom legend

| Product Specifications                |   |
|---------------------------------------|---|
| Product Type                          | MICRO SWITCH™ Pushbutton                      |
| Housing Type                          | Rectangular                                   |
| Circuitry                             | DPST NO Form X                                |
| Action                                | Alternate action                              |
| Mounting                              | Snap-in Panel                                 |
| Lamp Type                             | Lighted, 1 Incandescent Lamp                  |
| Termination                           | .187 x .020 (Solder or Quick-Connect)         |
| Ampere/Voltage Range (Resistive Load) | 0.4-10 A @ 0.5-30 Vdc, 0.4-10 A @ 0.5-250 Vac |
| LED/Lamp/Neon Voltage                 | No Lamp Installed                             |
| Comment                               | use AML51 button                              |
| Availability                          | Global  |
| UNSPSC Code                           | 30211913                                      |
| UNSPSC Commodity                      | 30211913 Push button switches                 |
| Series Name                           | AML31   |

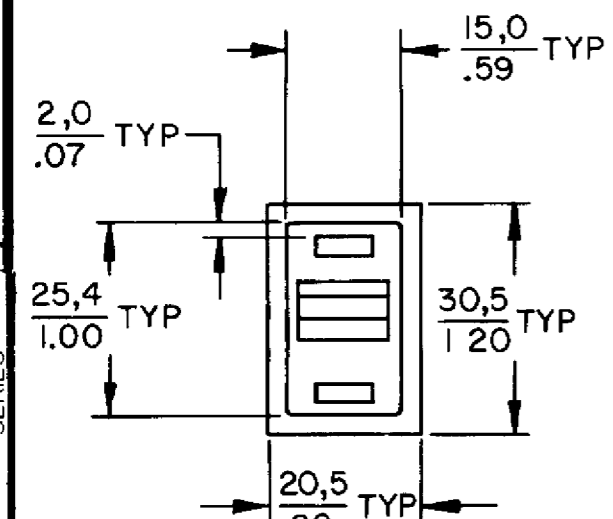
# SOLID STATE SWITCH AML 10 SERIES AND ELECTRONIC CONTROL AML 20 SERIES

## ACTUATORS FOR AML 10 SERIES & AML 20 SERIES



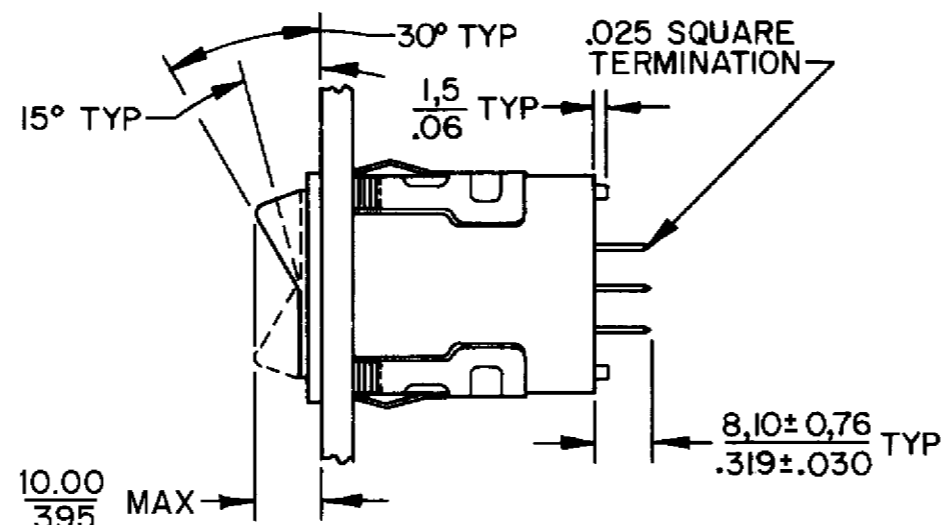
LED

NON ILLUMINATED AND INCANDESCENT

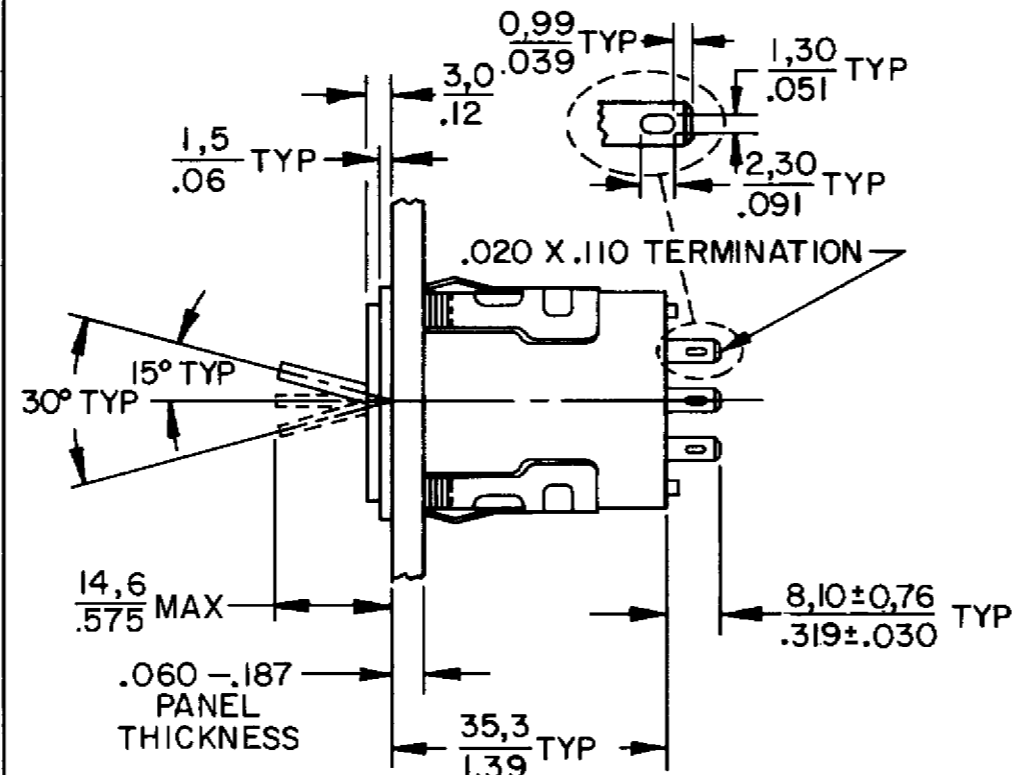


LED

NON ILLUMINATED AND INCANDESCENT

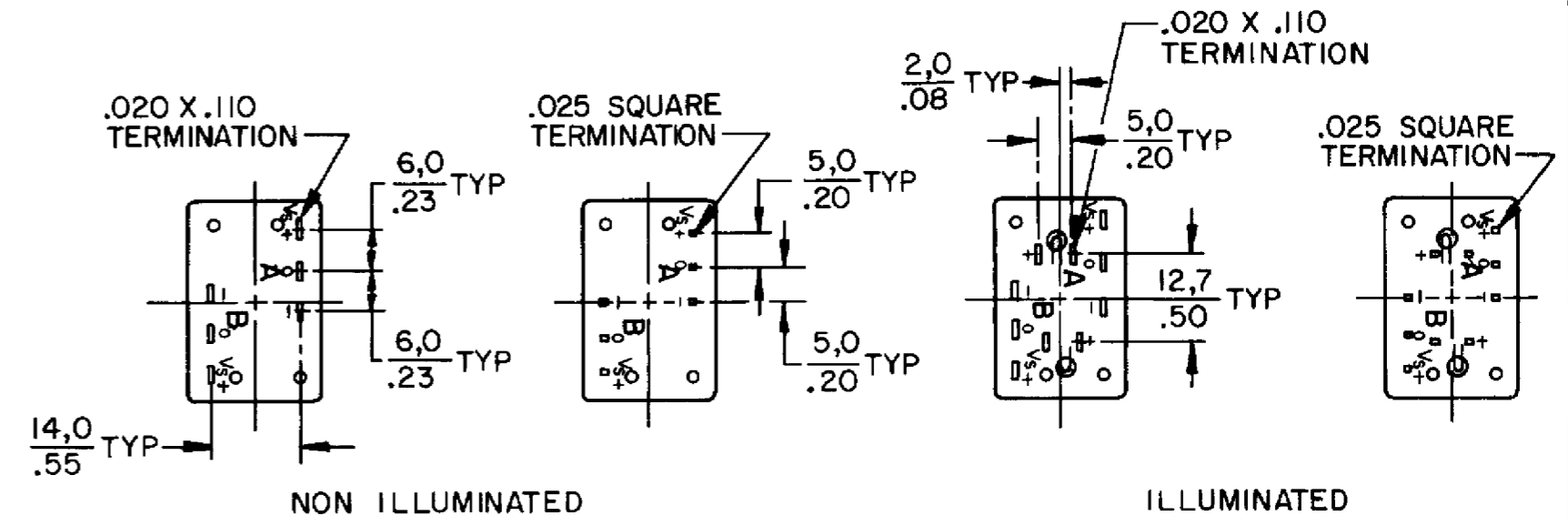


ROCKER



PADDLE

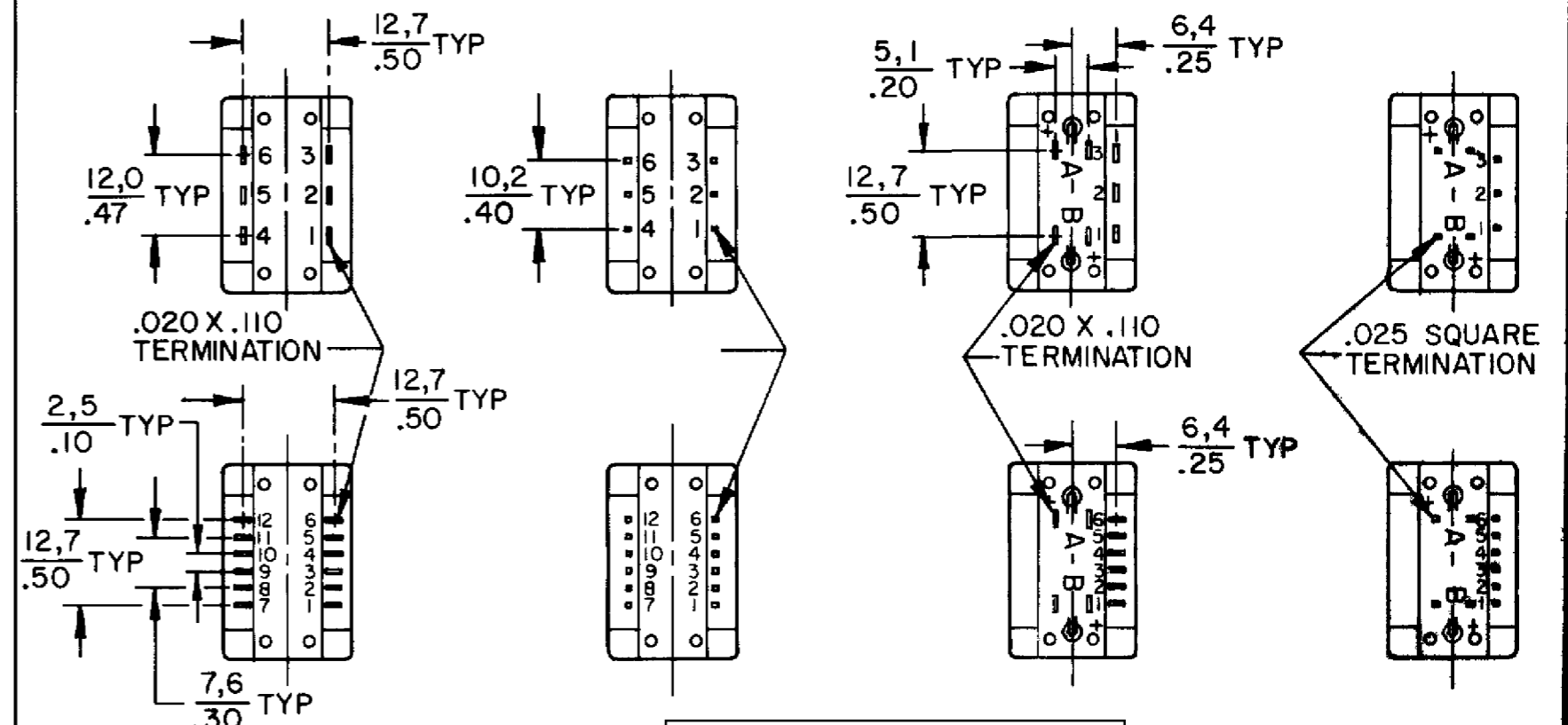
## TERMINATION AML 10 SERIES



NON ILLUMINATED

ILLUMINATED

## TERMINATION AML 20 SERIES



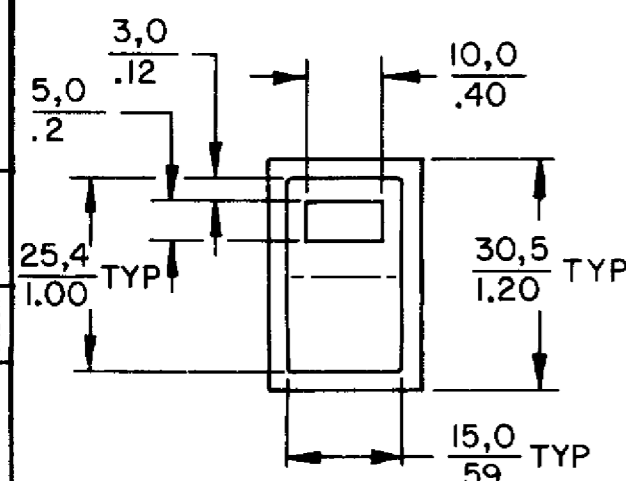
NON ILLUMINATED

AML24GBE2CA03-001 FAA-PMA

ILLUMINATED

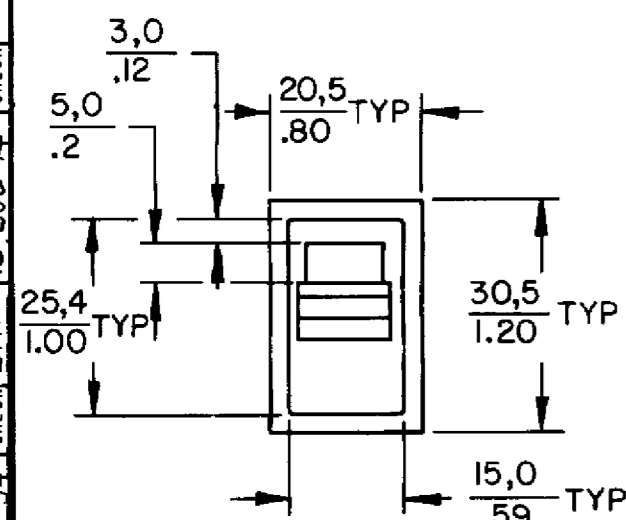
## POWER SWITCH AML 30 SERIES

### ACTUATORS FOR AML 30 SERIES



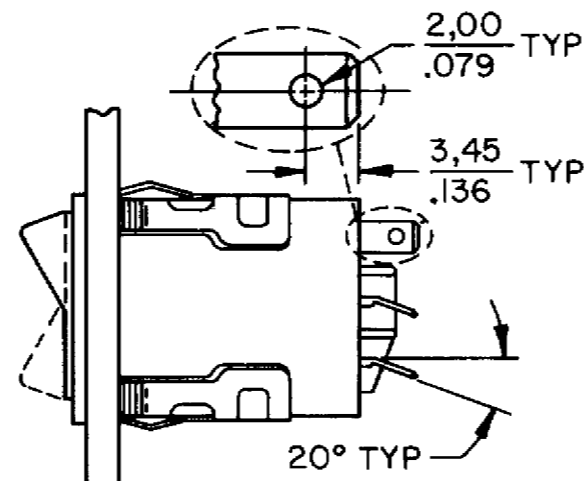
NEON

NON ILLUMINATED AND INCANDESCENT

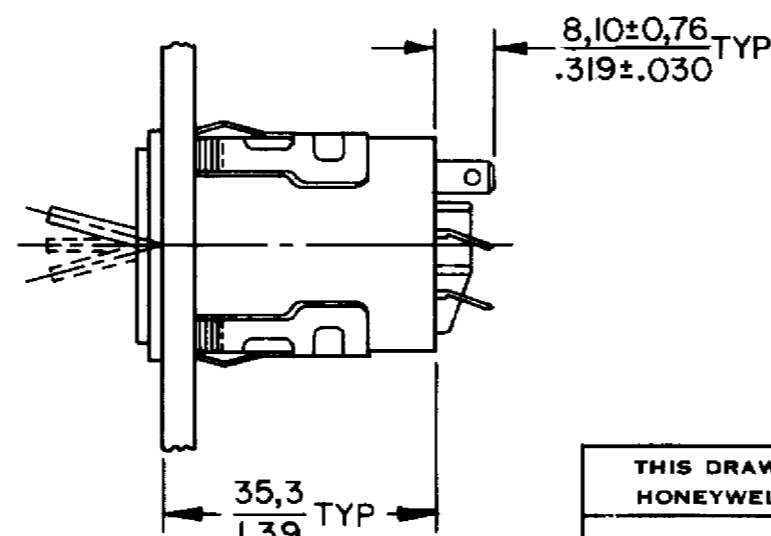


NEON

NON ILLUMINATED AND INCANDESCENT



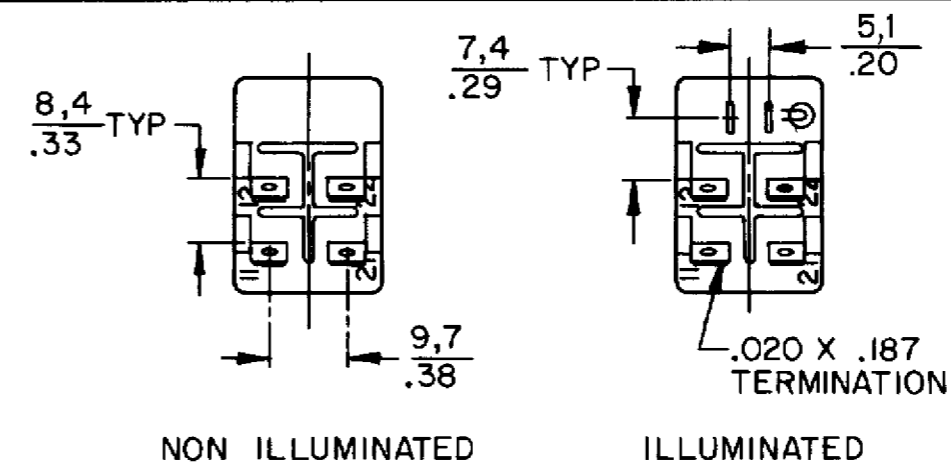
ROCKER



PADDLE

MASTER REDUCED

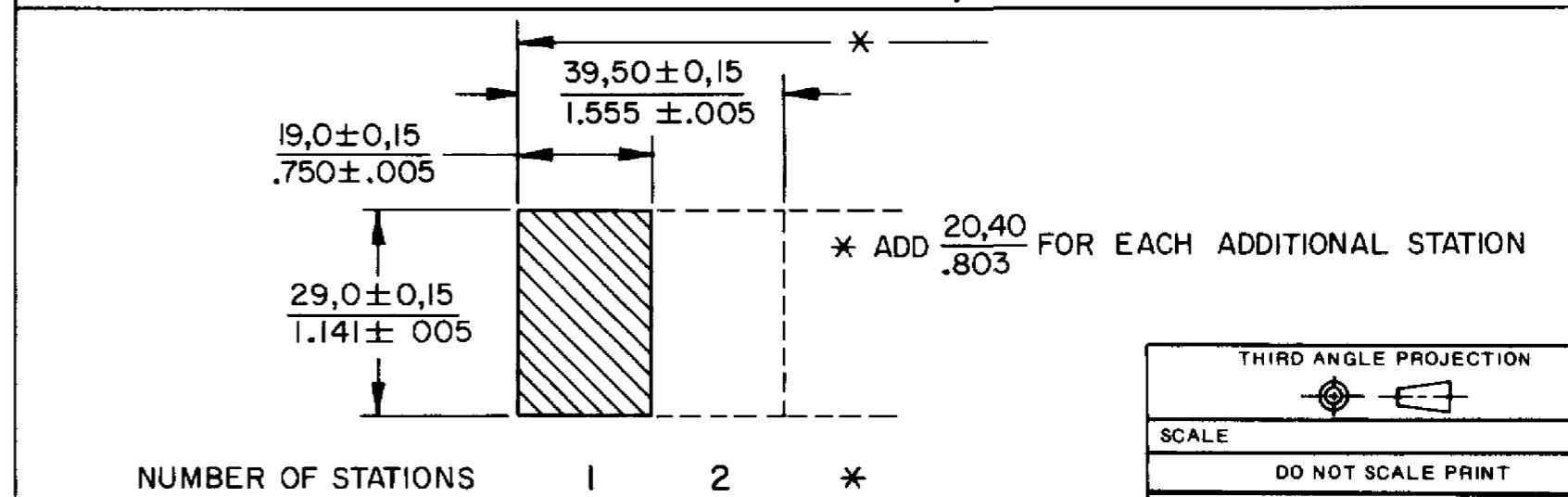
### TERMINATION AML 30 SERIES



NON ILLUMINATED

ILLUMINATED

### PANEL CUTOUTS FOR AML 10, 20 & 30 SERIES



THIRD ANGLE PROJECTION

SCALE

DO NOT SCALE PRINT

UNLESS OTHERWISE SPECIFIED TOLERANCES ARE

|             |        |        |
|-------------|--------|--------|
| ONE PLACE   | (.0)   | ± .030 |
| TWO PLACE   | (.00)  | ± .015 |
| THREE PLACE | (.000) | ± .005 |
| ANGLES      |        | ±      |

WEIGHT

THIS DRAWING COVERS A PROPRIETARY ITEM AND IS THE PROPERTY OF MICRO SWITCH A DIVISION OF HONEYWELL THIS DRAWING IS NOT TO BE COPIED OR USED WITHOUT THE APPROVAL OF MICRO SWITCH

**MICRO SWITCH**  
a Honeywell Division

AML PADDLE AND  
ROCKER

AML10 20 30  
SERIES CHART 1

FED MFG CODE 91929

CATALOG LISTING  
PAGE 1 OF 1  
ISSUE 13  
REVISIONS  
A 207432  
14 FEB 03  
B 0000447  
C 1  
2 JUN 03  
DRAWN  
SAD 10 JUN 94  
CHECK JAF 12 JUL 94  
CHECK  
RASTER

AML 10 20 30  
SERIES CHART 1  
RELEASE NO CO-78498  
REPLACES  
AML 10 20 & 30  
SERIES